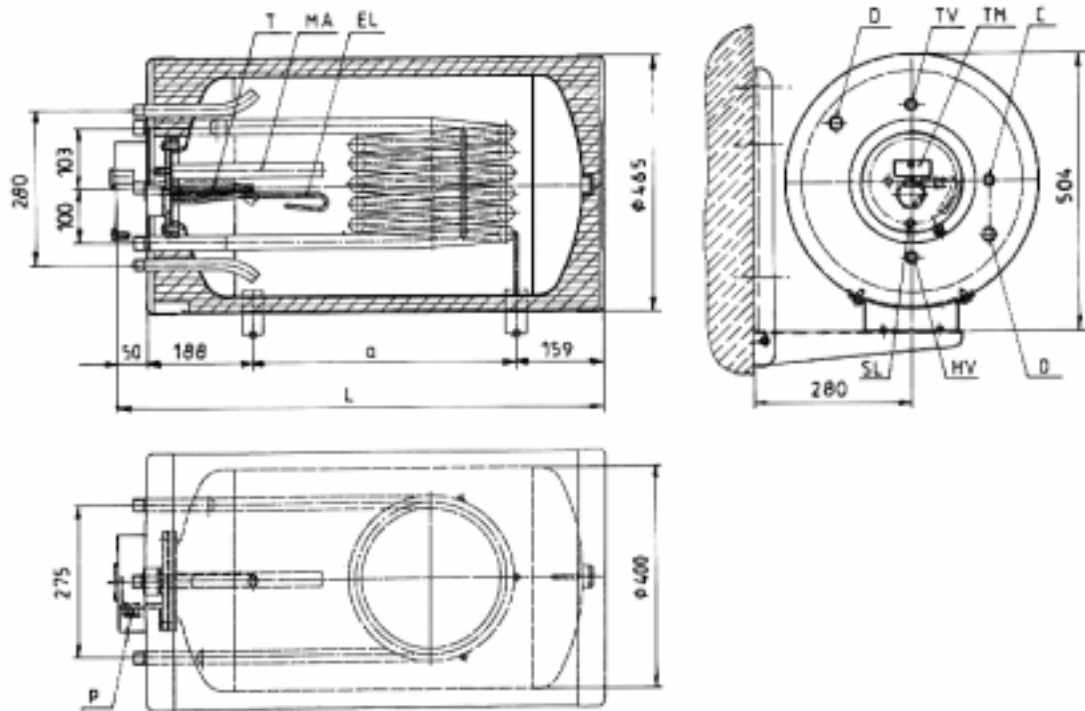


DATA SHEET



TYPE	Storage capacity l	Weight kg	Heat power kW	Flow capacity 10°/45°C l/h	Overall length L mm	Bracket disposition a mm
LGV 80	80	50	13	310	877	480
LGV 120	120	60	13	310	1196	800

TYPE	Heat exchanger				Vessel	
	Capacity l	surface m ²	Max. operating pressure bar	Max. operating temperature °C	Max. operating pressure bar	Max. operating temperature °C
LGV 80	1.94	0.44	10	160	6	95
LGV 120	1.94	0.44	10	160	6	95

COLD WATER	HV	R3/4"	THERMOMETER	TM	
HOT WATER	TV	R3/4"	INDICATOR	SL	
CIRKULATION	C	R3/4"	TERMINAL CONNECTORS	P	
HEATING FLOW	D	R3/4"	Mg ANODE	MA	M8/φ33x240 mm
HEATING RETURN	O	R3/4"	QUIVER FOR TEMP. SENSORS	T	φ 11 mm

Subject to technical modifications.