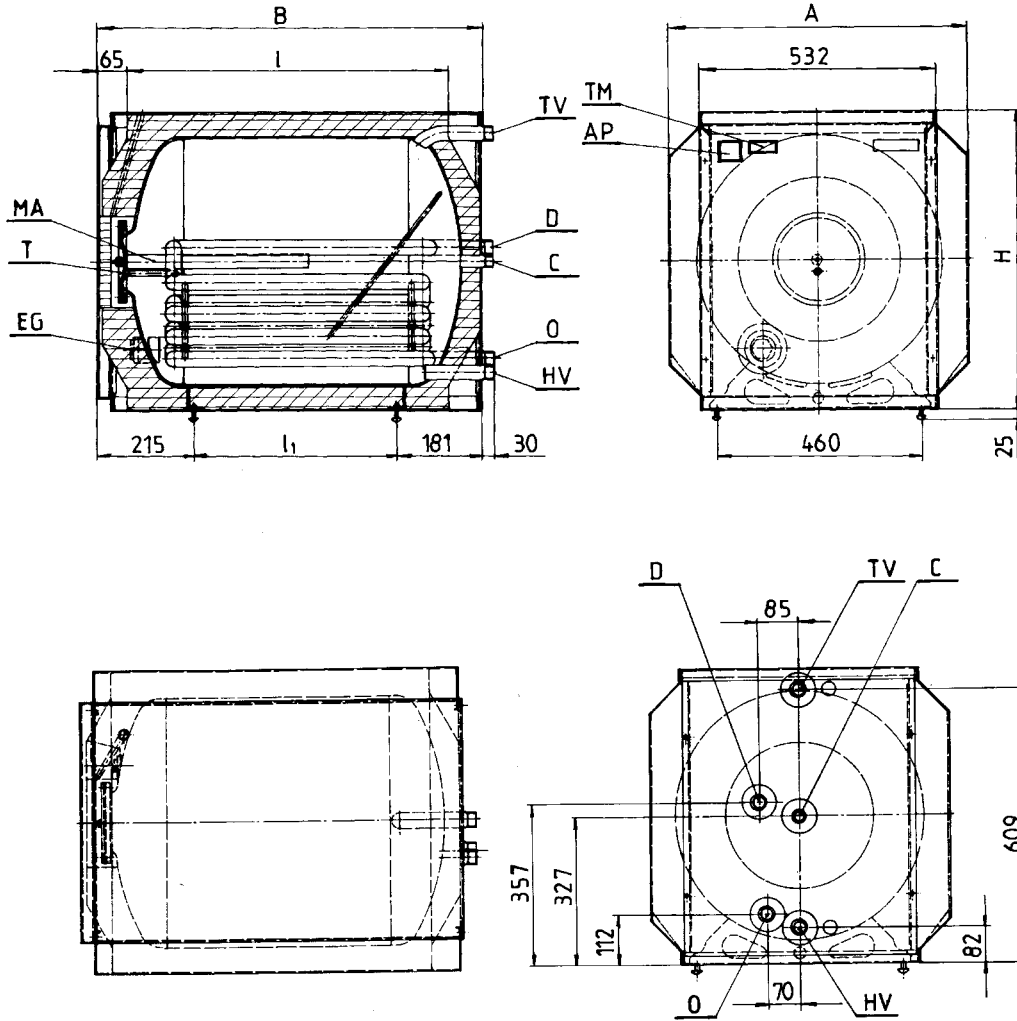


DATA SHEET



TYPE	Storage capacity	Overall height	Width	Depth	Carrying length	Feet disposition	Weight	Heat exchanger	
	L	H	A	B	l	l ₁		surface	capacity
		mm	mm	mm	mm	mm	mm	m ²	l
NGVL 150	146	654	668	843	710	446	86	0.9	4.9
NGVL 200	200	654	668	1079	946	682	105	0.9	4.9

TYPE	Continuous hot water recovery capacity 10/ 45° C		Max. operating pressure		Max. operating temperature		Magnesium anode		
	flow	heat power	vessel	heat exchanger	vessel	heat exchanger	pcs.	diam.	length
	l/h	kW	bar	bar	° C	° C		mm	mm
NGVL 150	670	27	6	10	95	160	1	33	400
NGVL 200	670	27	6	10	95	160	1	33	400

HEATING FLOW	D	R 1"	Mg ANODE	MA	M8
HEATING RETURN	O	R 1"	THERMOMETER		TM
COLD WATER	HV	R 1"	ANODE TESTER		AP
HOT WATER	TV	R 1"	SOCKET FOR E-HEATER	EG	G 6/4"
CIRKULATION	C	R 3/4"	QUIVER FOR TEMP. SENSORS	T	φ 11

Subject to technical modifications.