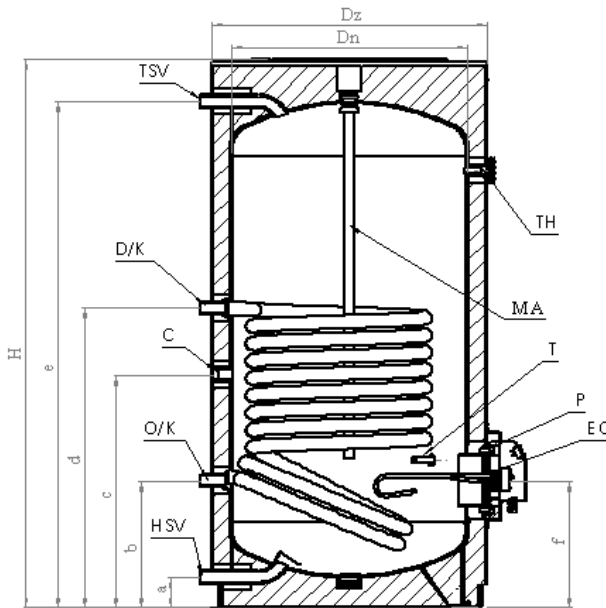
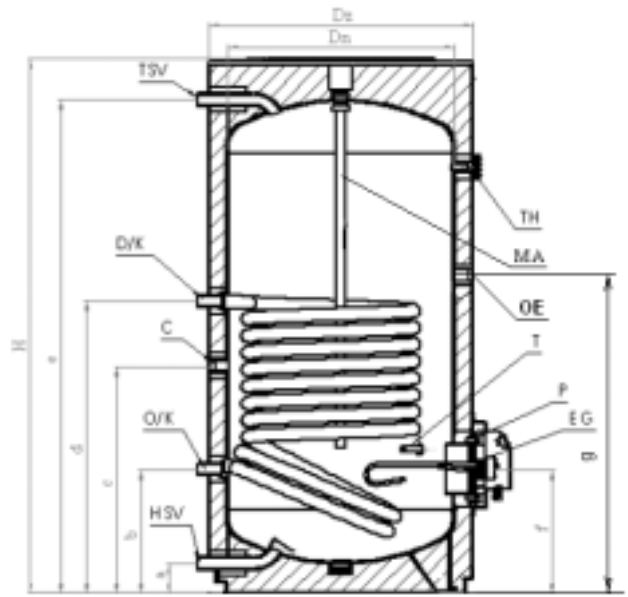


DATA SHEET



OWL130/160



OWL200/300

TYPE	Storage capacity l	Overall height H mm	Outer diameter Da mm	Inner diameter Di mm	Weight kg	Dimensions			
						cold water a mm	heating return b mm	cirkulation c mm	heating flow d mm
OWL-E 130	130	1085	550	450	75	77	253	488	588
OWL-E 160	160	1269	550	450	82	77	253	488	588
OWL-E 200	203	1538	550	450	96	77	253	773	693
OWL-E 300	296	1530	650	550	119	77	305	984	789

TYPE	Dimensions			Continuous hot water recovery capacity 90/70/10/45° C		Mg-anode			Heat exchanger	
	hot water e mm	flange f mm	E-socket g mm	kW	l/h	pcs.	diameter mm	length mm	surface m ²	capacity l
OWL-E 130	977	290	-	28.2	690	1	26	560	0.75	4.9
OWL-E 160	1161	290	-	28.2	690	1	26	560	0.75	4.9
OWL-E 200	1433	290	803	39.8	977	1	26	800	1.06	7
OWL-E 300	1435	305	836	54,2	1330	1	26	980	1.45	9.5

TYPE	Max. operating pressure		Max. operating temperature		Electrical heating 230V kW	HEATING FLOW HEATING RETURN COLD WATER HOT WATER CIRKULATION MG ANODE QUIVER	D/K	R 1"
	vessel MPa (bar)	heat exchanger MPa (bar)	vessel ° C	heat exchanger ° C				
OWL-E 130	1.0 (10)	1.2 (12)	95	160	2		O/K	R 1"
OWL-E 160	1.0 (10)	1.2 (12)	95	160	2		HSV	R 1"
OWL-E 200	1.0 (10)	1.2 (12)	95	160	3		TSV	R 1"
OWL-E 300	1.0 (10)	1.2 (12)	95	160	3		C	G 3/4"
							MA	M 8
							T	G 1/2"
							P	φ 180 / φ 118
							TH	
							EG	
							OE	G6/4"

Subject to technical modifications.