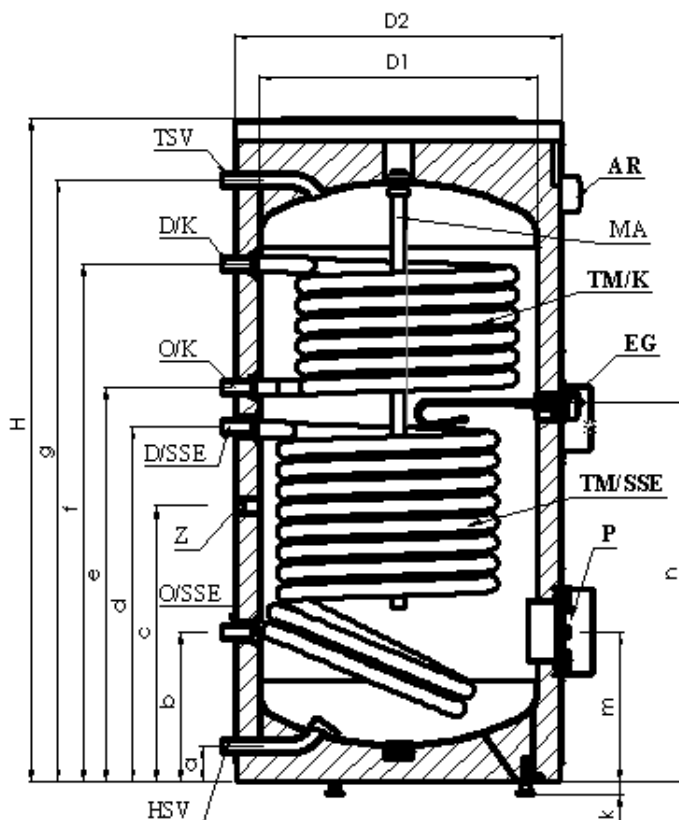


DATA SHEET



TYPE	k
SGV N 200	25/+15/-5
SGV N 300	25/+15/-5
SGV N 400	67/+25/-5
SGV N 500	25/+15/-5

TYPE	Storage capacity	Overall height H	Outer diameter D2	Inner diameter D1	Weight kg	Dimensions			
						Cold water a	Heating return b	Cirkulation c	Heating flow d
						mm	mm	mm	mm
SGV N 200	190	1538	550	450	104	77	253	773	693
SGV N 300	288	1530	650	550	135	77	305	984	789
SGV N 400	380	1678	700	600	161	35	281	661	761
SGV N 500	487	1580	800	700	193	77	223	695	795

TYPE	Dimensions					Heat exchanger – lower		Heat exchanger – upper	
	Heating return e	Heating flow f	Hot water g	Flange m	Socket for E-heater n	surface m ²	capacity l	surface m ²	capacity l
	mm	mm	mm	mm	mm				
SGV N 200	853	1029	1433	290	803	1.06	6.8	0.43	2.8
SGV N 300	884	1192	1435	305	836	1.45	9.5	0.93	6.1
SGV N 400	856	1120	1583	281	804	1.64	10.5	0.85	5.7
SGV N 500	880	1276	1489	293	838	2.17	14	1.63	10.5

TYPE	Continuous hot water recovery capacity 90/70/10/45° C - Heat exchanger		Power E-heater kW	Max. operating pressure		Max. operating temperature		Magnesium anode		
	lower kW	upper kW		Vessel bar	Heat exchanger bar	Vessel °C	Heat exchanger °C	Pcs.	Diam. mm	Lenght mm
	SGV N 200	39.8	16.2	2	10	12	95	160	1	26
SGV N 300	54.2	34.7	2	10	12	95	160	1	26	1180
SGV N 400	61.1	31.7	3	10	12	95	160	1	33	800
SGV N 500	80.5	60.5	3	10	12	95	160	1	33	1000

HEATING FLOW/ BOILER	D/K	R 1"	SOCKET FOR E-HEATER	EG	230V/50Hz
HEATING RETURN/ BOILER	O/K	R 1"	FLANGE	F	φ 180 / φ 118
HEATING FLOW/ SOLAR COLECTOR	D/SSE	R 1"	Mg ANODE		MA
HEATING RETURN / SOLAR COLECTOR	O/SSE	R 1"	REGULATION		AR
CIRKULATION	C	G 3/4"	HEAT EXCHANGER / BOILER		TM/K
COLD WATER	HSV	R 1"	HEAT EXCHANGER / SOLAR COLECTOR		TM/SSE
HOT WATER	TSV	R 1"			

Subject to technical modifications.